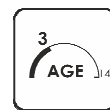


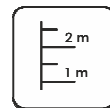
Construction is made from glued wood, stainless and galvanized steel metal, rope and HPL laminate.



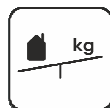
1
children



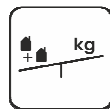
till 3
age



0,10 m
height of fall



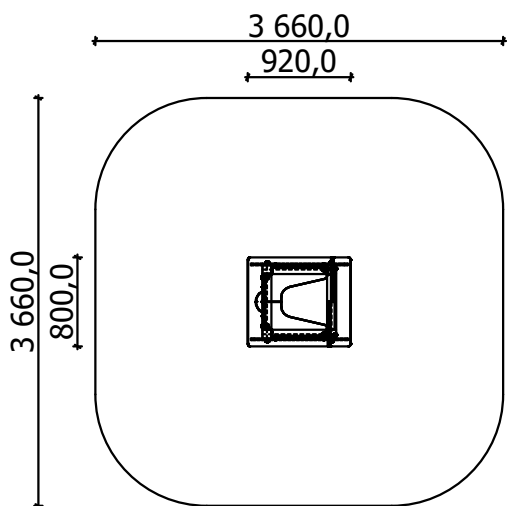
... kg
(heaviest part)



... kg



...
(without excavation and
concreting)



Length: **920 mm**
Width: **800 mm**
Height: **1 680 mm**

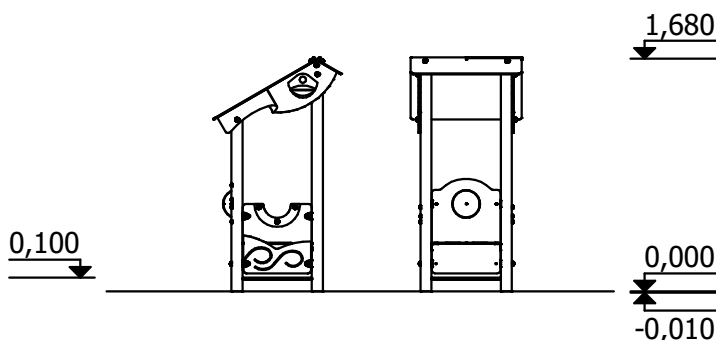
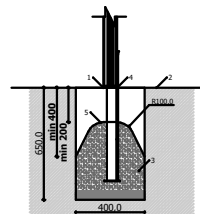
Length of safety area: **3 660 mm**
Width of safety area: **3 660 mm**
Required safety area: **9 m²**

(Install shock absorbing material according to
EN 1176:2017)

Playground equipment steel foundation is concreted in the ground at the planned location. The equipment can be used after two days when the concrete becomes solid. Foundation should be accessible for maintenance. During assembly no children are allowed in the area.

Equipment safety checkings must be performed once in a week in high vandalism risk area.

Maintenance is required once in every 3 months, depending on usage.



Transportation:

1 (one) palette:
2 000 x 1 000 x 200 mm

Spare parts:

All needed spare parts and elements, when warranty time expires can be ordered in Jūrmalas Mežaparki Ltd., and all the goods will be ready for delivery in 5 working days.

According to EN 1176:2017

Manufactured
according:
07.11.2019.



EN 9100
BUREAU VERITAS
Certification

