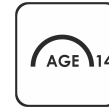


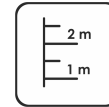
Construction is made from glued wood and galvanized steel, rope and chain details.



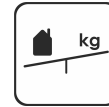
2
children



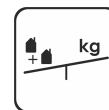
< 14
age



1,18 m
height of fall



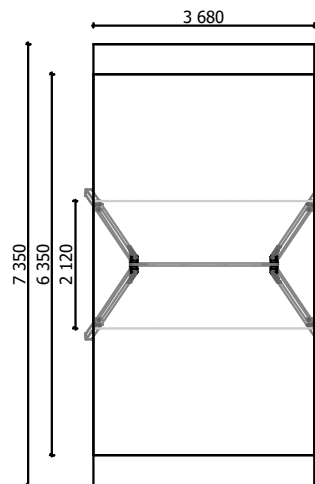
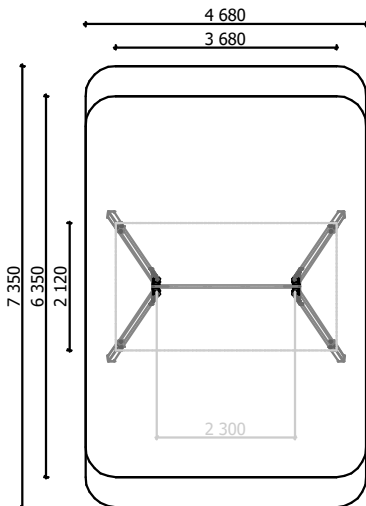
31 kg
(heaviest part)



88 kg



4,5 h
(without excavation and
concreting)



Length: **3 680 mm**
Width: **2 120 mm**
Height: **2 400 mm**

Length of safety area: **4 680 mm**
Width of safety area: **7 350 mm**
Required safety area: **27,04 m² / 34,39 m²**

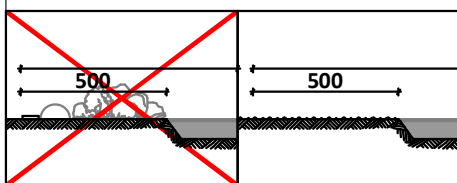
(Install shock absorbing material according to EN 1176:2017)

Playground equipment steel foundation is concreted in the ground at the planned location. The equipment can be used after two days when the concrete becomes solid. During assembly no children are allowed in the area.

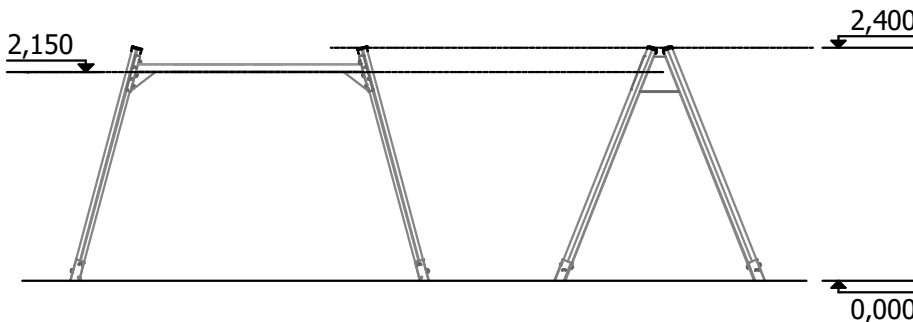
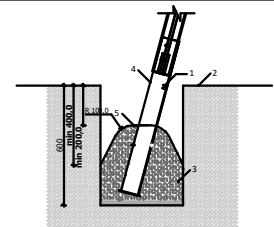
Equipment safety checkings must be performed once in a week in high vandalism risk area.

Maintenance is required once in every 3 months, depending on usage.

In the direction of the swing there must be an extra 500 mm free area of any obstacles!



Foundation should be accessible for maintenance.



Transportation:

1 (one) palette:
2 600 x 1 000 x 400 mm

Spare parts:

All needed spare parts and elements, when warranty time expires can be ordered in Jūrmalas Mežaparki Ltd., and all the goods will be ready for delivery in 5 working days.