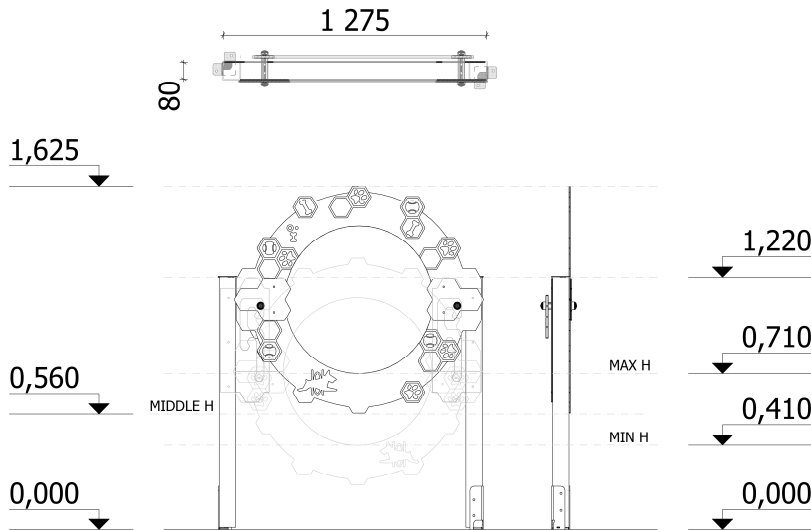




# STL002

## PRODUCT DATA SHEET

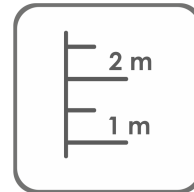
SIA "Jūrmalas Mežaparki"  
 1 Garkalnes street, Jūrmala  
 +371 6773 2317, www.jmp.lv



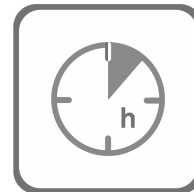
Category:



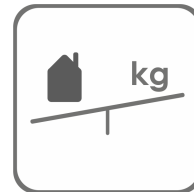
Parameters:



a= **1 275 mm**  
 b= **80 mm**  
 h= **1 220 mm**



**Assembly**  
**2 h**  
 (without concreting and digging)

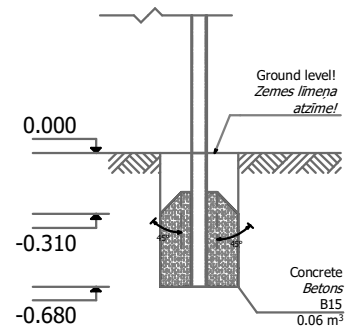


**Weight**  
**15,4 kg**

Used materials:

- \* Glued pine wood beam - impregnated (green); Impregnated board;
- \* Three-layer HPL (high pressure laminate);
- \* Water-resistant, abrasive plywood;
- \* Stainless steel;
- \* PP (poproplylene);

Concrete:



Spare parts availability:

The spare parts and spare parts can be purchased at SIA "Jūrmalas Mežaparks". factory within 3 days after the customer's request after warranty period. Spare parts are available for 10 years. erves share availability.

Requirements:

The equipment-agility may only be used after two days when the concrete is completely dry.  
 The equipment-agility is fixed (mounted) at the installation site

Transportation:

In production since:  
 19.05.2022.

SIA "Jūrmalas Mežaparks" reserves the right to change the items described in this document without prior notice.

Manufactured according:

