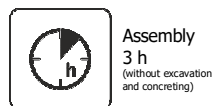
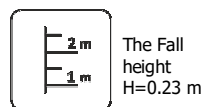
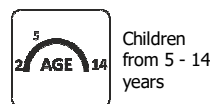
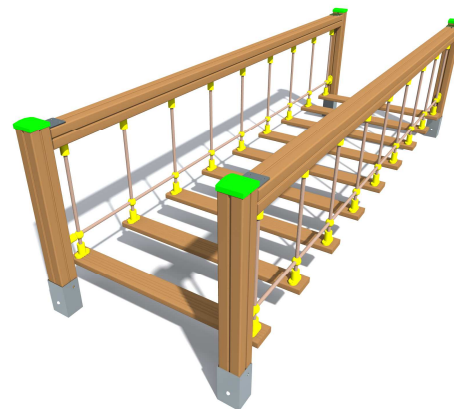
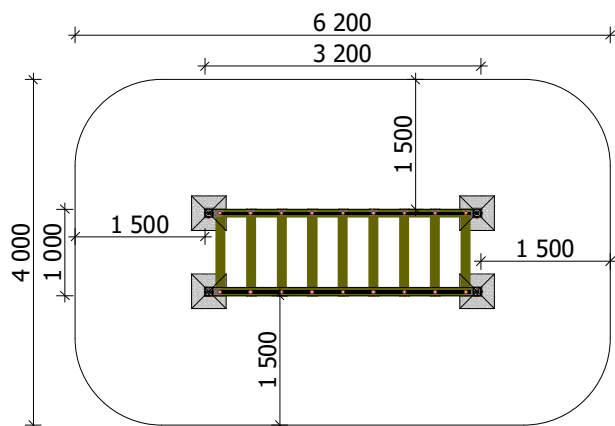


Construction are made from glued wood, galvanized steel.



Minimal required area - 24 m<sup>2</sup>

Length: 3 200 mm  
Width: 1 000 mm  
Height: 900 mm

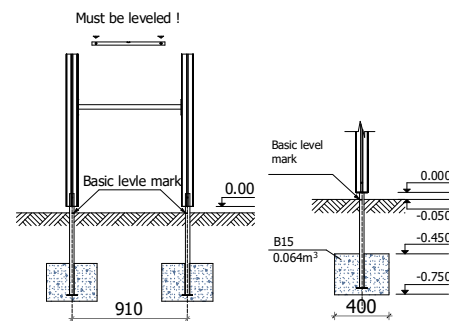
Playground is intended for outdoor use under supervision of adults

Length of safety area: 6 200 mm  
Width of safety area: 4 000 mm  
Required safety area: 24 m<sup>2</sup>

Equipment safety checkings must be performed once in a week in high vandalism risk areas.

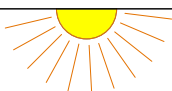
Maintenance is required once in every 3 months, depending on usage

Playground equipment steel foundation is concreted in the ground at the planned location. The equipment can be used after two days when the concrete becomes solid. During assembly no children are allowed in the area.



### Temperature

T<sub>min</sub> -33.2 °C  
T<sub>max</sub> +64.1 °C



### Snow load

Small



### Wind load

Small



Surface coating under the play equipment should be applied according to the standard LVS EN 1176-1:2008

Potential surfaces

Chips (fr.5-30mm); Min. thickness 300 mm  
Sand (fr.0.2-2mm); Min. thickness 300 mm  
Gravel (fr.2-8mm); Min. thickness 300 mm

Colored rubber plates  
Blanket (1000x1000mm);  
Thickness (According to the manufacturer of rubber surface conditions of height of fall.)  
Base: breakstone (fr.20-40 mm); Thickness 130-250 mm

**Transportation:** One pack: 1 pack of 1 000 x 500 x 500 mm

**Spare parts:** All needed spare parts and elements, when warranty time expires can be ordered in „Jūrmalas Mežaparki” Ltd., and all the goods will be ready for delivery in 5 working days.