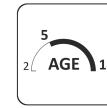


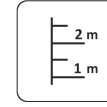
Construction is made from glued wood, galvanized steel and HDPE.



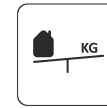
**6**  
children



**5 - 14**  
age



**Height of fall**  
**1.80 m**



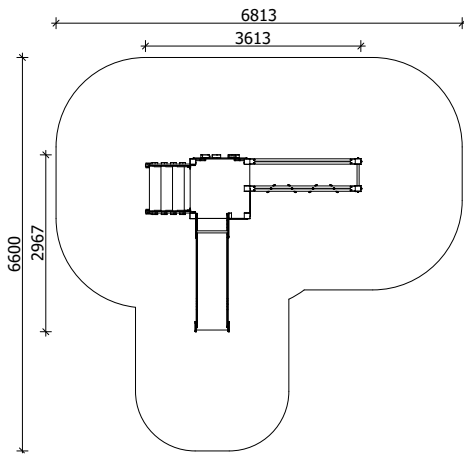
**70 kg**  
(2600x1000x1000 mm)



**190 kg**

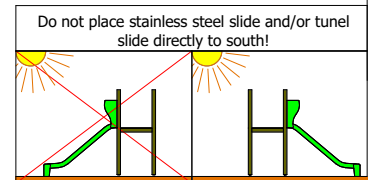


**4 h**  
(without excavation  
and concreting)

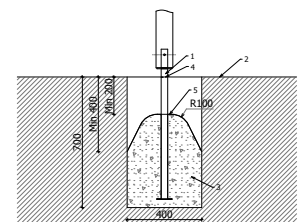


Lenght: 2 882 mm  
Width: 2 967 mm  
Height: 2 200 mm

Lenght of safety area: 6 031 mm  
Width of safety area: 6 556 mm  
Required safety area: 31 m<sup>2</sup>  
(Install shock absorbing material according to EN1176:2017)



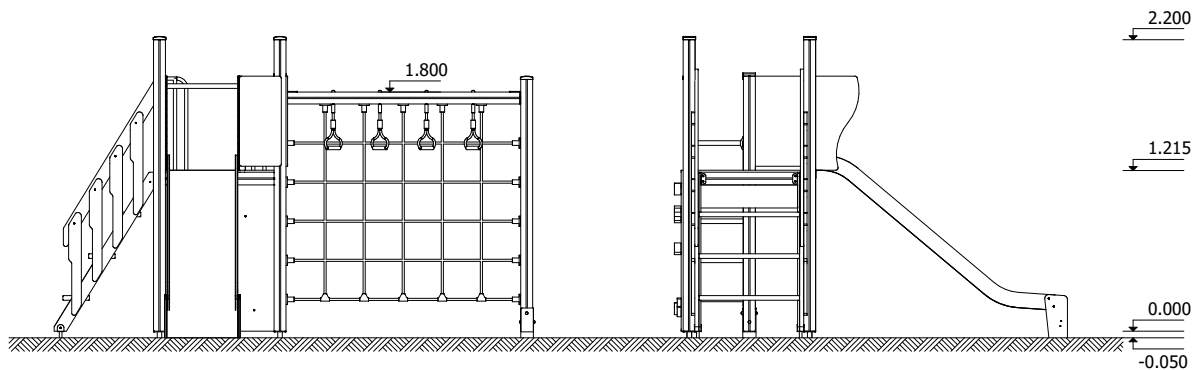
Foundation should be accessible for maintenance



Playground equipment steel foundation is concreted in the ground at the planned location. Foundation should be accessible for maintenance. The equipment can be used after two days when the concrete becomes solid. During assembly no children are allowed in the area.

Equipment safety checkings must be performed once in a week in high vandalism risk areas.

Maintainance is required once in every 3 months, depending on usage



**Transportation:** One palette: 1 palette 2600 x 1000 x 500 mm

**Spare parts:** All needed spare parts and elements, when warranty time expires can be ordered in SIA „Jūrmalas Mežaparki”, and all the goods will be ready for delivery in 3 days.