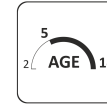


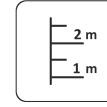
Construction is made from glued wood, galvanized steel and HDPE.



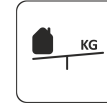
8 children



5 - 14 age



Height of fall 2.015 m



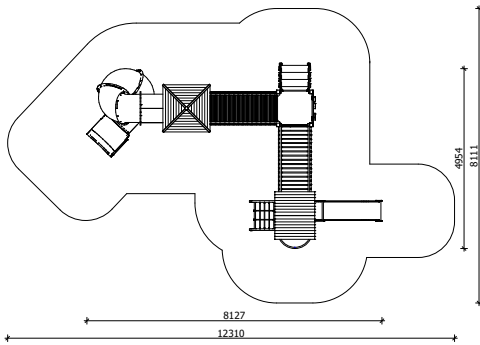
111 kg (3400x1000x1000 mm)



860 kg

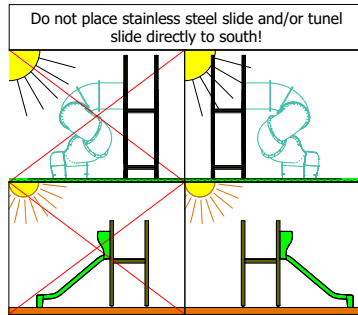


22 h (without excavation and concreting)



Length: 8 127 mm
 Width: 4 954 mm
 Height: 3 980 mm

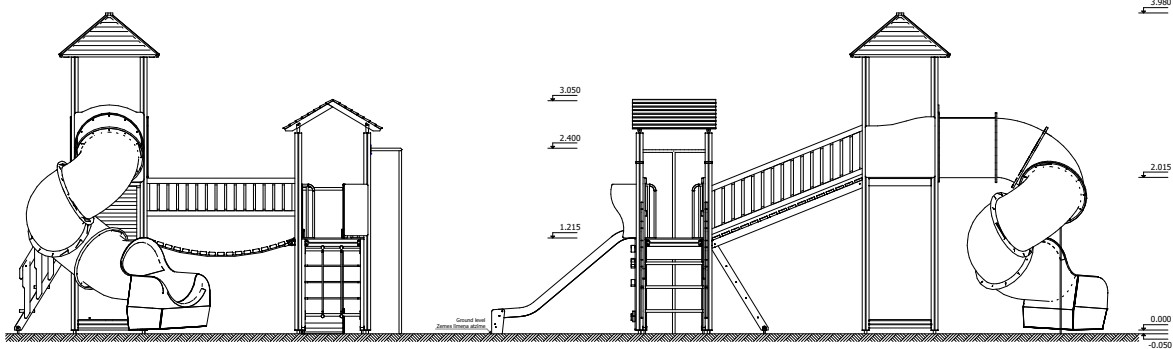
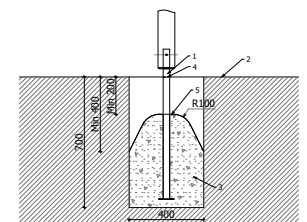
Length of safety area: 12 310 mm
 Width of safety area: 8 811 mm
 Required safety area: 62 m²
 (Install shock absorbing material according to EN1176:2017)



Playground equipment steel foundation is concreted in the ground at the planned location. Foundation should be accessible for maintenance. The equipment can be used after two days when the concrete becomes solid. During assembly no children are allowed in the area.

Equipment safety checkings must be performed once in a week in high vandalism risk areas.

Maintenance is required once in every 3 months, depending on usage



Transportation: Two palettes: 1 palettes 2600 x 1000 x 1200 mm - Sliding tube
 1 palette 3400 x 1000 x 600 mm

Spare parts: All needed spare parts and elements, when warranty time expires can be ordered in SIA „Jūrmalas Mežaparki”, and all the goods will be ready for delivery in 3 days.