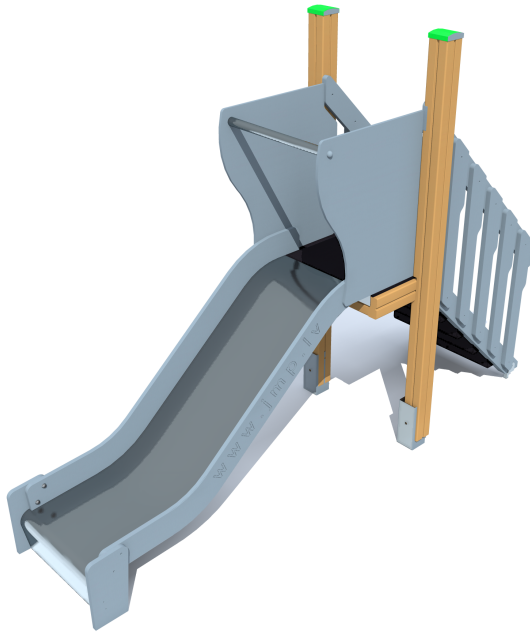
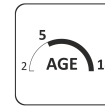


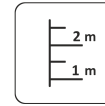
Construction is made from glued wood, galvanized steel and HDPE.



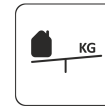
**2**  
children



**5 - 14**  
age



**Height of fall**  
**0.80 m**



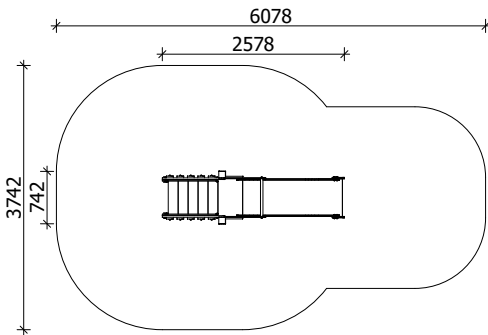
**36 kg**  
(885x610x1500 mm)



**100 kg**

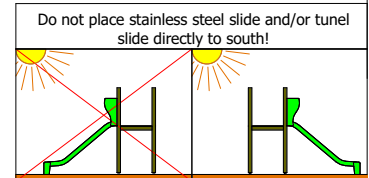


**3 h**  
(without excavation  
and concreting)



Length: 2 578mm  
 Width: 742 mm  
 Height: 1 800 mm

Length of safety area: 6 078 mm  
 Width of safety area: 3 742 mm  
 Required safety area: 18,5 m<sup>2</sup>  
 (Install shock absorbing material according to EN1176:2017)

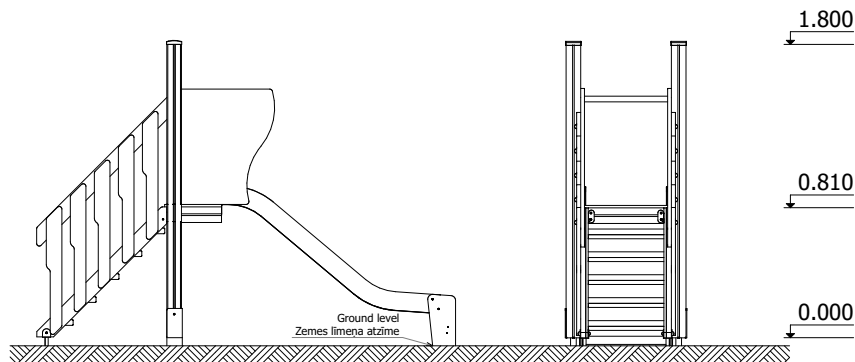
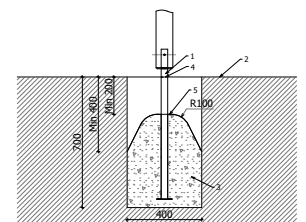


Foundation should be accessible for maintenance

Playground equipment steel foundation is concreted in the ground at the planned location. Foundation should be accessible for maintenance. The equipment can be used after two days when the concrete becomes solid. During assembly no children are allowed in the area.

Equipment safety checkings must be performed once in a week in high vandalism risk areas.

Maintenance is required once in every 3 months, depending on usage



**Transportation:** One palette: 1 palette 2400 x 1000 x 400 mm

**Spare parts:** All needed spare parts and elements, when warranty time expires can be ordered in SIA „Jūrmalas Mežaparki”, and all the goods will be ready for delivery in 3 days.