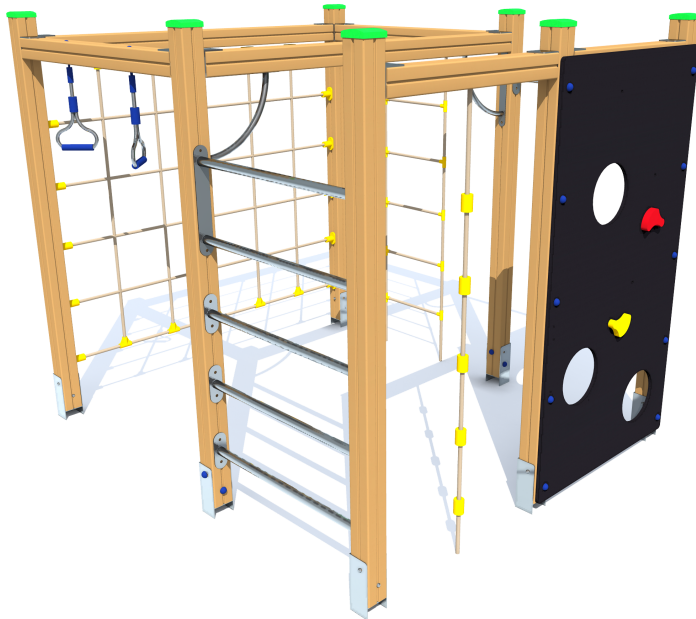
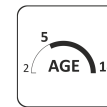


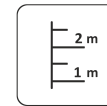
Construction is made from glued wood, galvanized steel and HDPE.



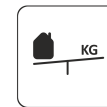
6
children



5 - 14
age



Height of fall
1.80 m



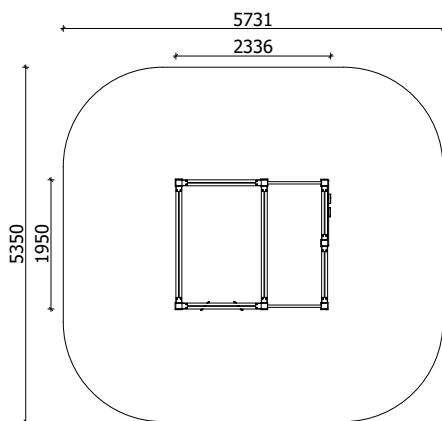
24 kg
(1800x1000x15 mm)



170 kg



6 h
(without excavation
and concreting)



Length: 2 336 mm
Width: 1 950 mm
Height: 1 900 mm

Length of safety area: 5 731 mm
Width of safety area: 5 350 mm
Required safety area: 29 m²

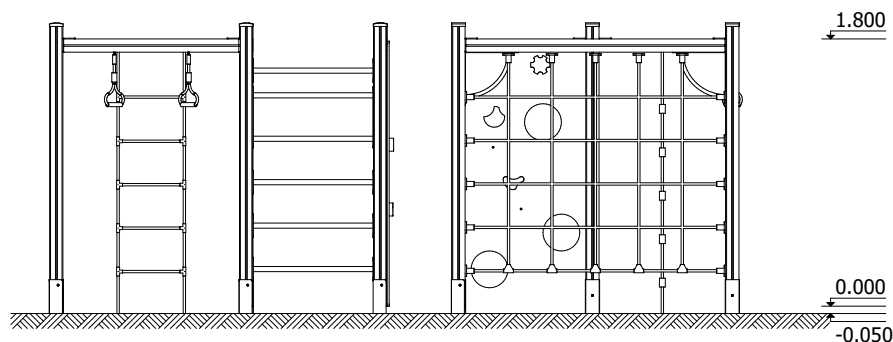
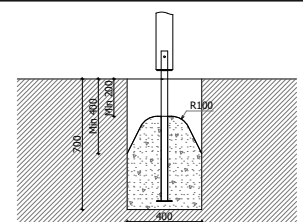
(Install shock absorbing material according to EN1176:2017)

Foundation should be accessible for maintenance

Playground equipment steel foundation is concreted in the ground at the planned location. Foundation should be accessible for maintenance. The equipment can be used after two days when the concrete becomes solid. During assembly no children are allowed in the area.

Equipment safety checkings must be performed once in a week in high vandalism risk areas.

Maintenance is required once in every 3 months, depending on usage



Transportation: One pack: 1 pack 2200 x 1000 x 600 mm

Spare parts: All needed spare parts and elements, when warranty time expires can be ordered in SIA „Jūrmalas Mežaparki”, and all the goods will be ready for delivery in 3 days.