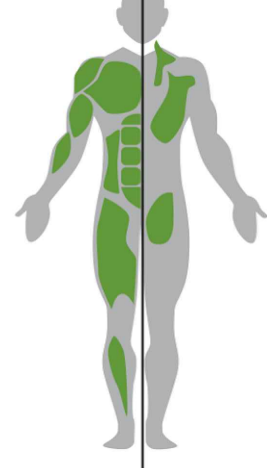


Priekšpuse Front view
Aizmugure Back view

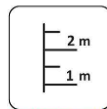


Minimum required safety zone - 19.59 m²

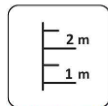
- Length: 2 120 mm
- Width: 1 097 mm
- Height: 1 550 mm
- Safety Area Length: 5 187 mm
- Safety Area Width: 4 164 mm
- Safety Area: 19.59 m²



2 users



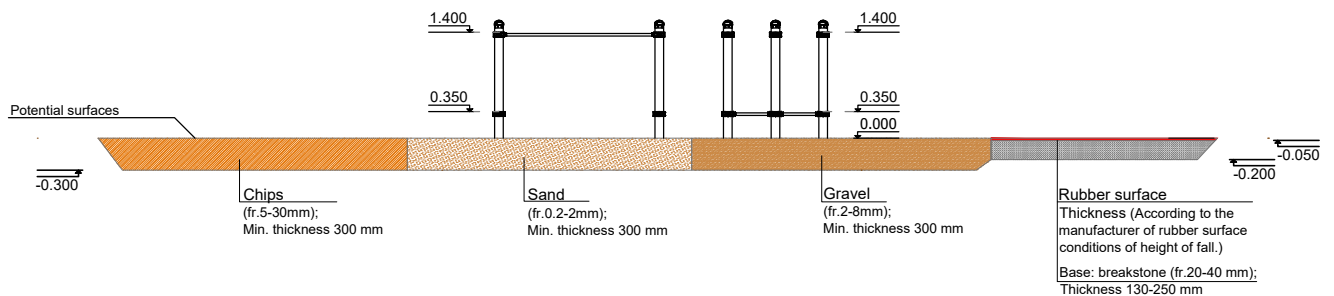
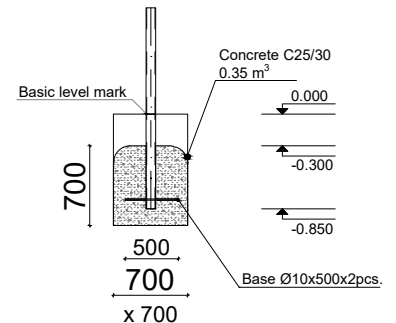
Critical height of fall
H = 1.40 m



Required user height
from 1.40 m

Metal gymnastic complex is intended for public use outdoors.

Gymnastic equipment is established by concreting the steel foundation in planned equipment location. Equipment is suitable for use after two days of concreting when the foundation is totally solid. During assembly no children are allowed in the area. Equipment safety checks must be performed once a week in high vandalism risk areas. Maintenance is required once in every 3 months, depending on usage



Surface type and its thickness must comply with EN 1177 standard requirements taking into account the fall height of the equipment.