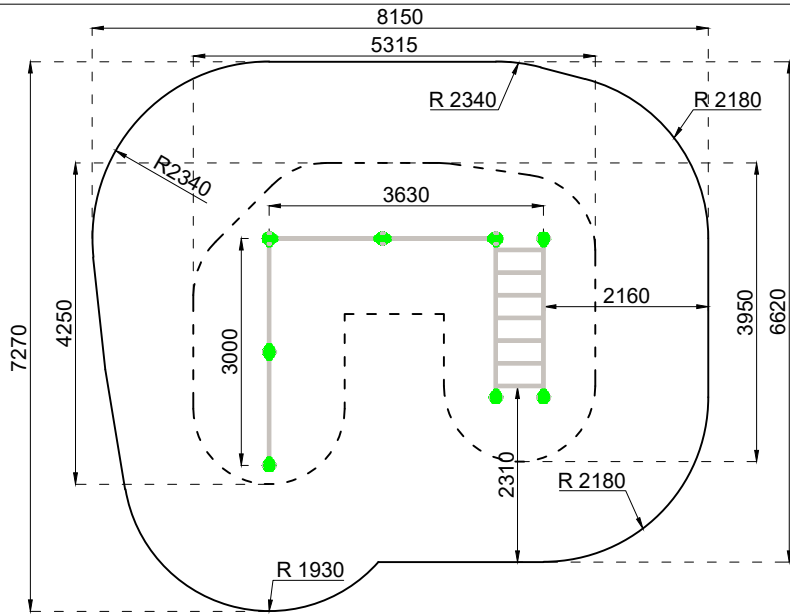


# WRK7

## PRODUCT DATA SHEET

Jūrmalas Mežaparki Ltd.  
1 Garkalnes street, Jūrmala  
+371 6773 2317, www.jmp.lv

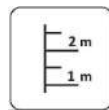


Minimum required safety zone - 50.48 m<sup>2</sup>

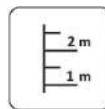
|                     |                      |
|---------------------|----------------------|
| Length:             | 3 630 mm             |
| Width:              | 3 000 mm             |
| Height:             | 2 700 mm             |
| Safety Area Length: | 8 150 mm             |
| Safety Area Width:  | 7 270 mm             |
| Safety Area:        | 50.48 m <sup>2</sup> |



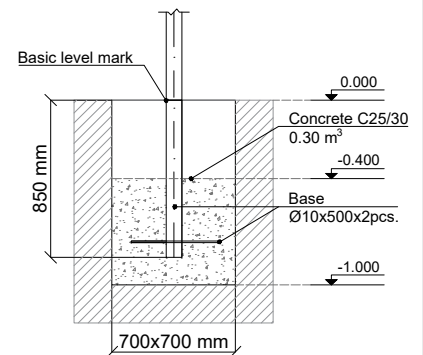
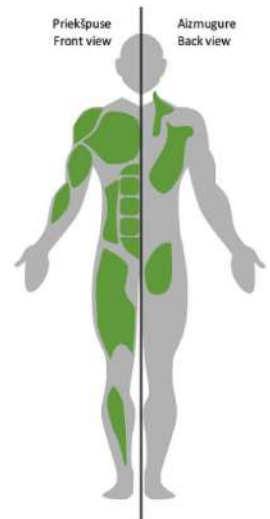
5 users



Critical height of fall  
H = 2.59 m

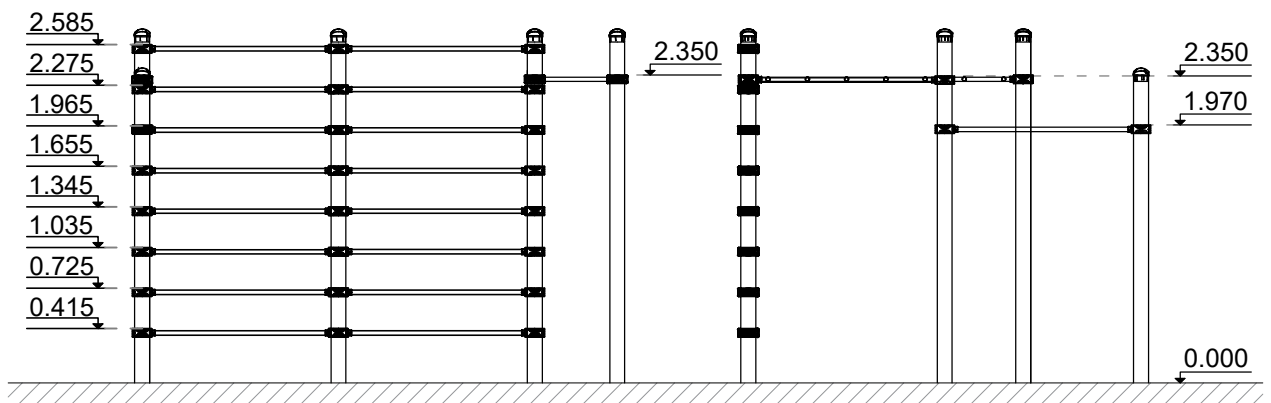


Required user  
height  
from 1.40 m



Metal gymnastic complex is intended for public use outdoors.

Gymnastic equipment is established by concreting the steel foundation in planned equipment location. Equipment is suitable for use after two days of concreting when the foundation is totally solid. During assembly no children are allowed in the area. Equipment safety checks must be performed once a week in high vandalism risk areas. Maintenance is required once in every 3 months, depending on usage



According to Standard LVS EN 1176-1:2018, LVS EN 16630:2015

Manufactured according to:

