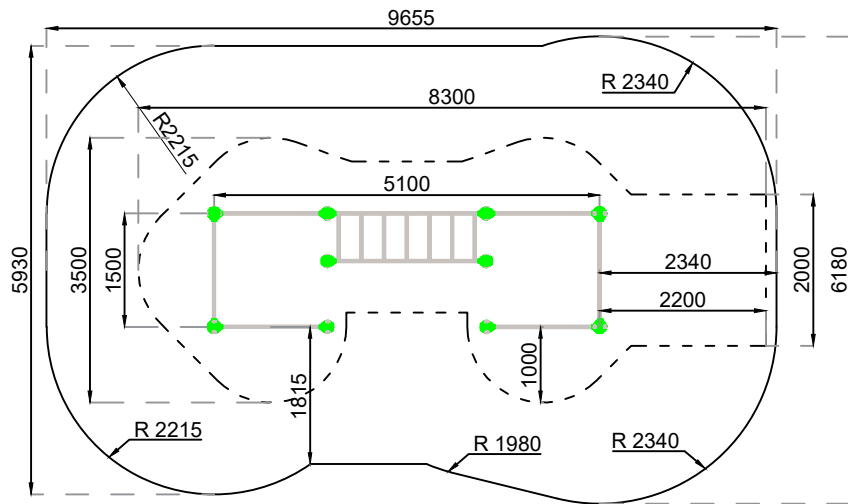


WRK15

PRODUCT DATA SHEET

Jūrmalas Mežaparki Ltd.
1 Garkalnes street, Jūrmala
+371 6773 2317, www.jmp.lv



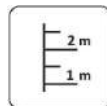
Minimum required safety zone - 52.45 m²

Length: 5 100 mm
Width: 1 500 mm
Height: 2 700 mm

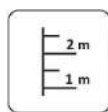
Safety Area Length: 9 655 mm
Safety Area Width: 6 180 mm
Safety Area: 52.45 m²



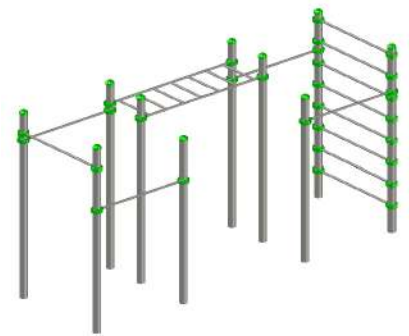
7 users



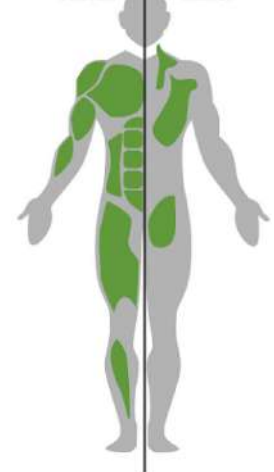
Critical height of fall
H = 2.59 m



Required user height
from 1.40 m

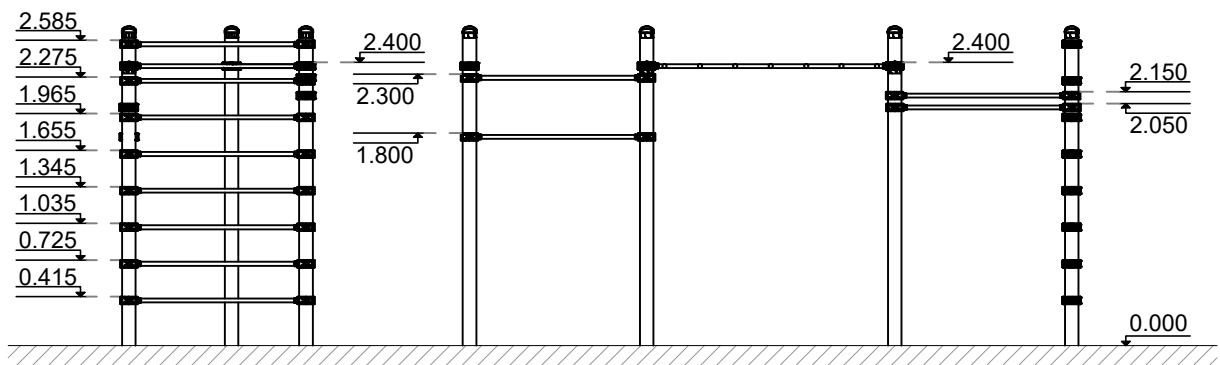
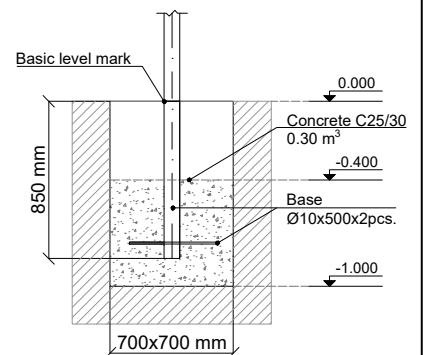


Priekšpuse Front view
Aizmugure Back view



Metal gymnastic complex is intended for public use outdoors.

Gymnastic equipment is established by concreting the steel foundation in planned equipment location. Equipment is suitable for use after two days of concreting when the foundation is totally solid. During assembly no children are allowed in the area. Equipment safety checks must be performed once a week in high vandalism risk areas. Maintenance is required once in every 3 months, depending on usage



According to Standard LVS EN 1176-1:2018, LVS EN 16630:2015

Manufactured according to:

