

Length: 3 620 mm
Width: 2 050 mm
Height: 2 700 mm
Length of safety area: 7 340 mm
Width of safety area: 5 770 mm
Required safety area: 33,37 m²

HEIGHT
>1,40 m
AUGUMS

1,40 m
required user
height from

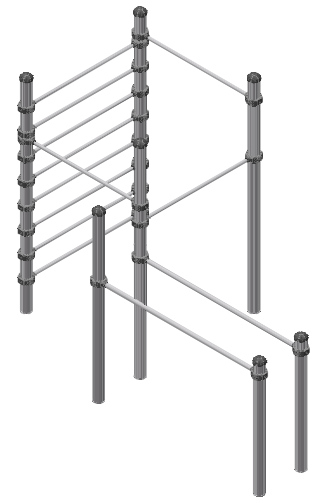


5
users



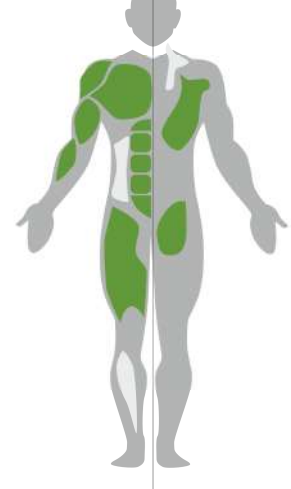
2,45 m

height of fall



Priekšpuse
Front view

Aizmugure
Back view



Metal gymnastic complex is intended for PUBLIC use outdoors.

Gymnastic equipment is suitable by concreting the steel foundation in planned equipment location. Equipment is suitable for use after two days of concreting when the foundation is totally solid. During assembly no user are allowed in the area.

Equipment safety checks must be performed once a week in high vandalism risk areas.

Maintenance is required once in every 3 months, depending on usage.

