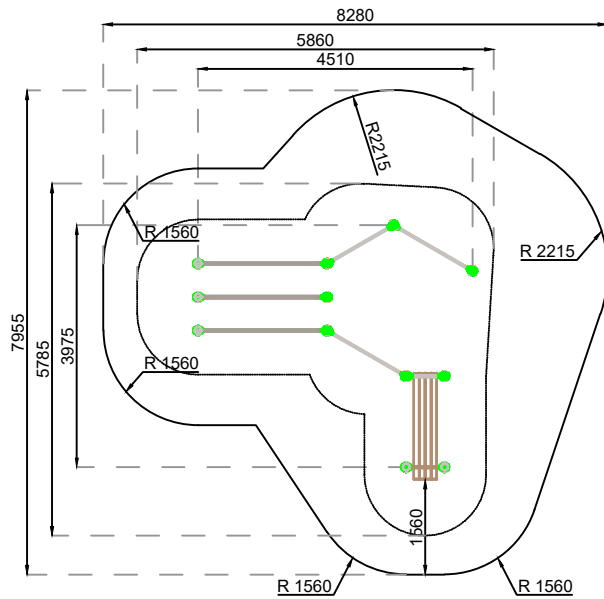


WRK38

PRODUCT DATA SHEET

Jūrmalas Mežaparki Ltd.

1 Garkalnes street, Jūrmala
+371 6773 2317, www.jmp.lv

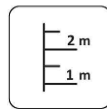


Minimum required safety zone - 45.75 m²

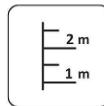
Length:	4 510 mm
Width:	3 975 mm
Height:	2 700 mm
Safety Area Length:	8 280 mm
Safety Area Width:	7 955 mm
Safety Area:	45.75 m ²



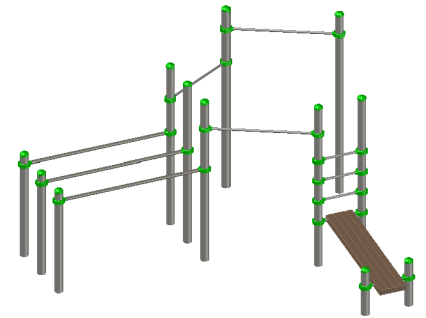
6 users



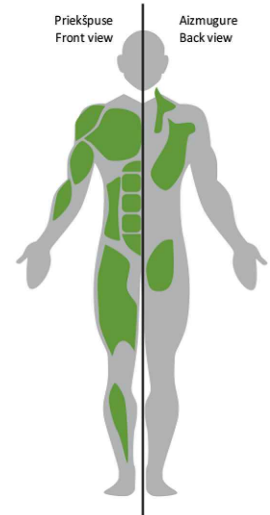
Critical height of fall
H = 2.40 m



Required user height
from 1.40 m

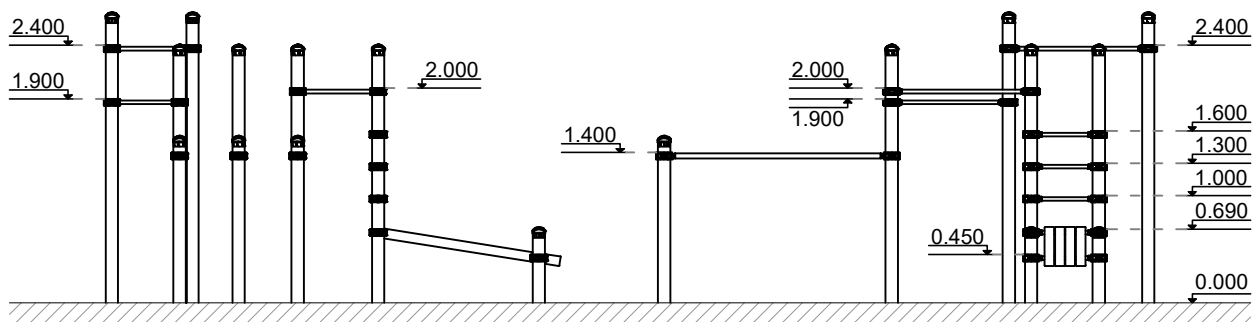
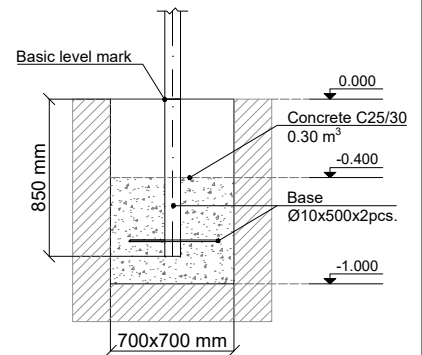


Priekšpuse
Front view



Metal gymnastic complex is intended for public use outdoors.

Gymnastic equipment is established by concreting the steel foundation in planned equipment location. Equipment is suitable for use after two days of concreting when the foundation is totally solid. During assembly no children are allowed in the area. Equipment safety checks must be performed once a week in high vandalism risk areas. Maintenance is required once in every 3 months, depending on usage.



According to Standard LVS EN 1176-1:2018, LVS EN 16630:2015

Manufactured according to:

