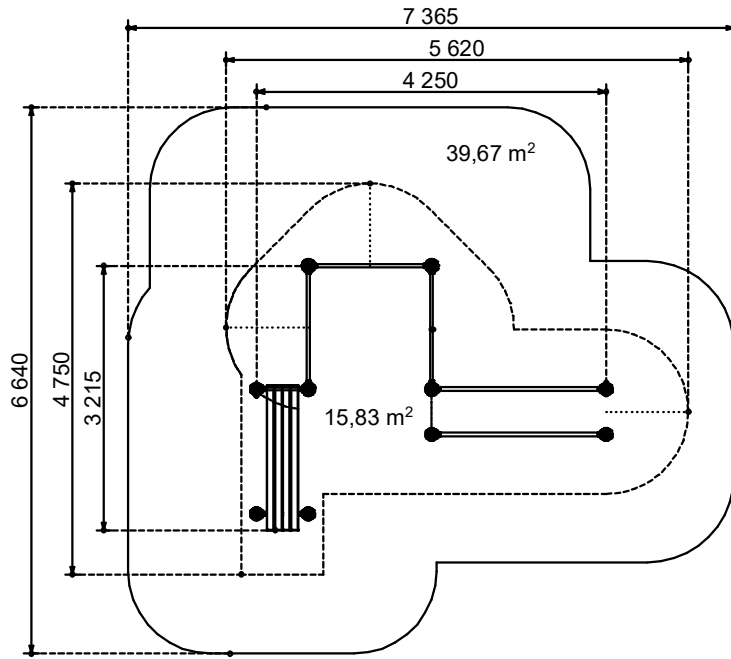


# WRK 8

## PRODUCT DATA SHEET

**Jūrmalas Mežaparki Ltd.**  
1 Garkalnes street, Jūrmala  
+371 299 006 03, www.jmp.lv



Length: **4 250 mm**  
Width: **3 215 mm**  
Height: **2 200 mm**  
Length of safety area: **7 365 mm**  
Width of safety area: **6 640 mm**  
Required safety area: **39,67 m²**

HEIGHT  
**>1,40 m**  
AUGUMS

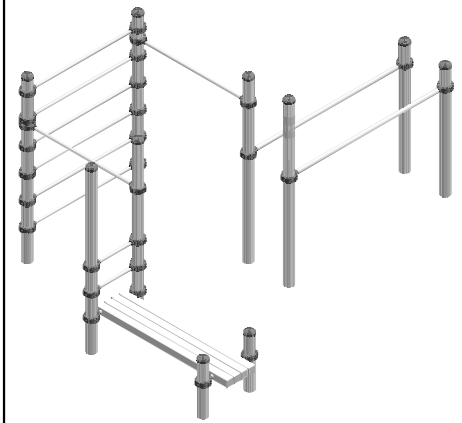
**1,40 m**  
required user  
height from



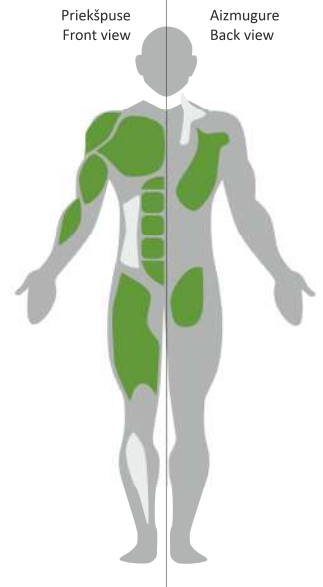
**5**  
users



**2,00 m**  
height of fall



Priekšpuse Front view  
Aizmugure Back view

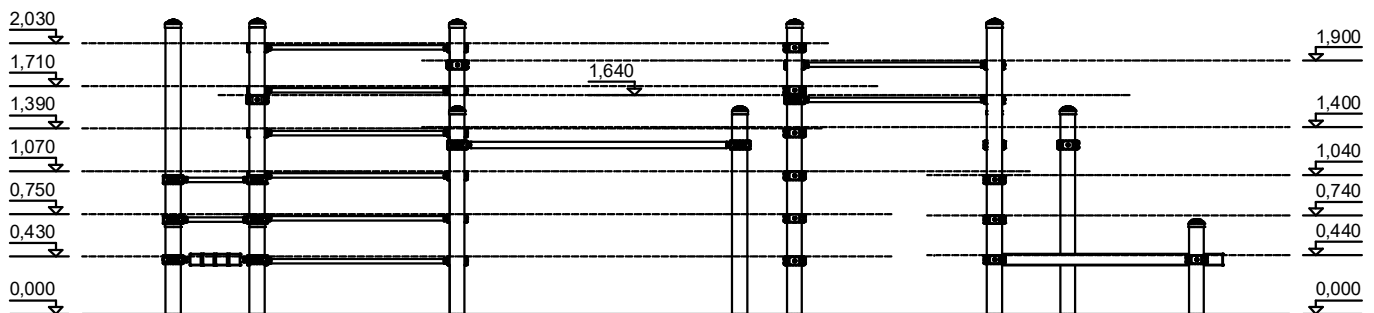
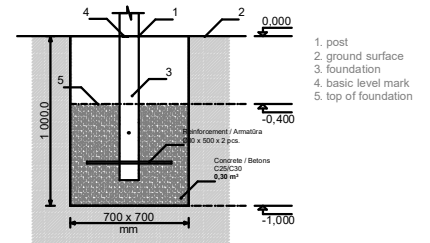


Metal gymnastic complex is intended for PUBLIC use outdoors.

Gymnastic equipment is suitable by concreting the steel foundation in planned equipment location. Equipment is suitable for use after two days of concreting when the foundation is totally solid. During assembly no user are allowed in the area.

Equipment safety checks must be performed once a week in high vandalism risk areas.

Maintenance is required once in every 3 months, depending on usage.



According to EN 16630:2015

Manufactured  
according:  
07.11.2019.

