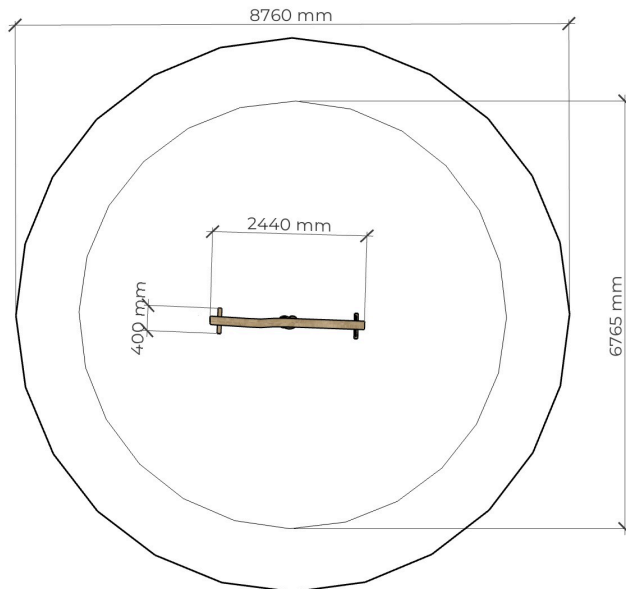




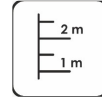
The play complex is made of robinia logs, galvanized and stainless steel parts.



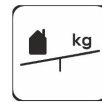
2 children



6 + age



0,30 m height of fall



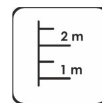
95 kg (heaviest part)



170 kg



3 h (without excavation and concreting)



3560 x 170 x 170 mm overall dimensions of the largest part

Lenght: 2440 mm
Width: 400 mm
Height: 2560 mm

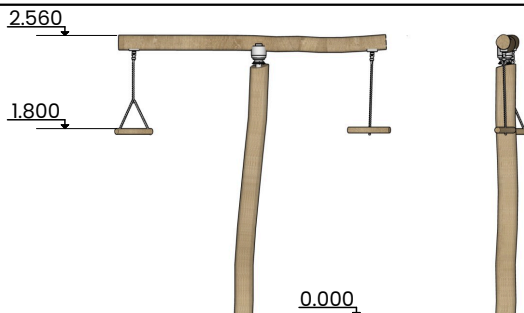
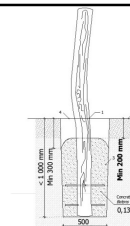
Lenght of safety area: 8760 mm
Width of safety area: 8760 mm
Required safety area: 59,61 m²

(Install shock absorbing material according to EN 1176-1)

Playground equipment steel foundation is concreted in the ground at the planned location. The equipment can be used after two days when the concrete becomes solid. During assembly no children are allowed in the area. Foundation should be accessible for maintenance.

Playground equipment with free height of fall of more than 600 mm and/or equipment causing a force movement on the body of the user, shall be impact attenuating surfacing over the entire impact area.

Equipment safety checkings must be performend once in a week in high vandalism risk area. Maintenance is required once in every 3 months, depending on usage.



Transportation:

Spare parts:

All needed spare parts and elements, when warranty time expires can be ordered in Jūrmalas Mežaparki Ltd., and all the goods will be ready for delivery in 5 working days.